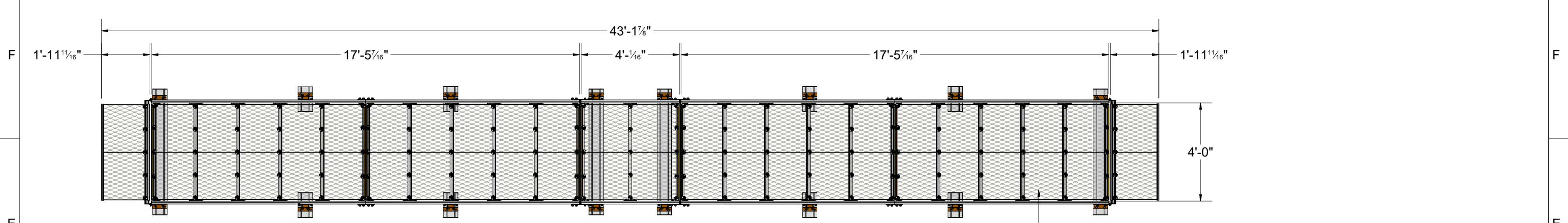
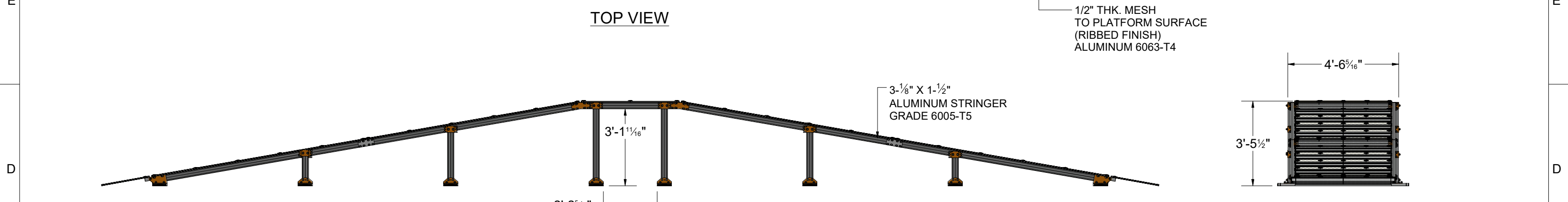


8 7 6 5 4 3 2 1

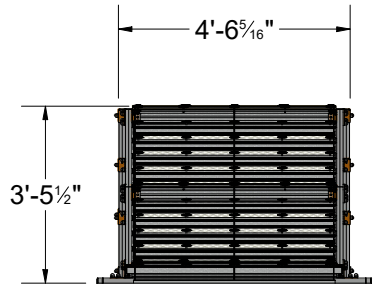


TOP VIEW

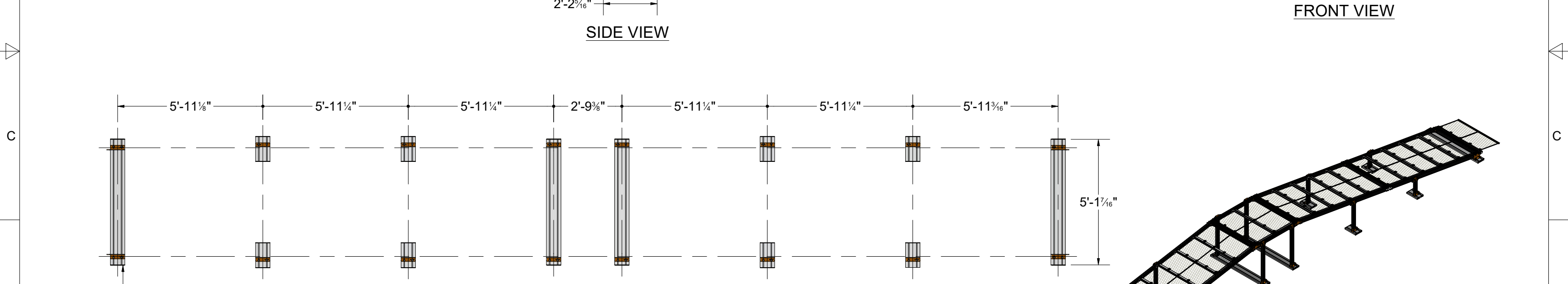
1/2" THK. MESH TO PLATFORM SURFACE (RIBBED FINISH) ALUMINUM 6063-T4



SIDE VIEW

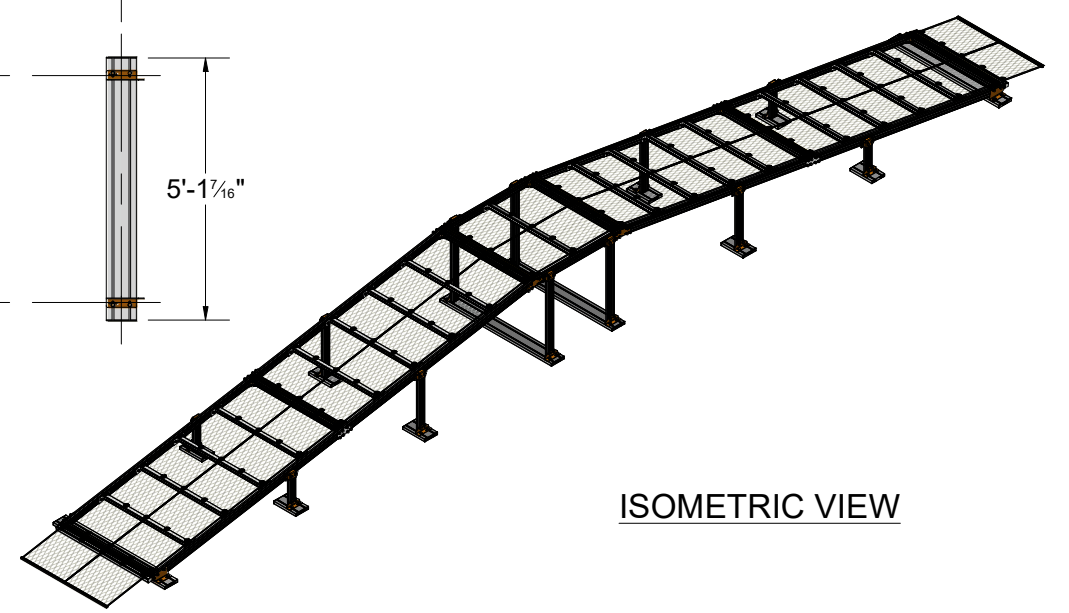


FRONT VIEW



FOOTING LAYOUT

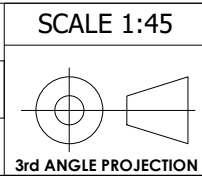
7-1/8" X 1-1/4" ALUMINUM BASE GRADE 6005-T5



ISOMETRIC VIEW

ALL DIMENSIONS IN INCHES AND FEET

DRN: LFP  
 CHK: END  
 APP: WJL  
 DATE: 06/22/2023



SCALE 1:45  
 DIMENSION TOLERANCES UNLESS NOTED OTHERWISE  
 X ± 1mm  
 X.X ± 0.25mm  
 X.XX ± 0.1mm  
 ANGLE ± 1°

**KATTSAFE™**  
 A BRAND OF **FIXFASTUSA**  
 3921 Perry Blvd.  
 Whitestown, IN. 46077  
 T +1 888 637 7872  
 E sales@fixfastusa.com  
 W www.fixfastusa.com

DESCRIPTION		CROSSOVER RAMP	SHT #
MATERIAL	ALUMINUM	FINISH	1/1
DWG No.		PRODUCT CODE	SIZE
		KRB1200.36	B
			REV

1			ISSUED FOR RELEASE
REV	DATE	BY	APP
8			

8 7 6 5 4 3 2 1