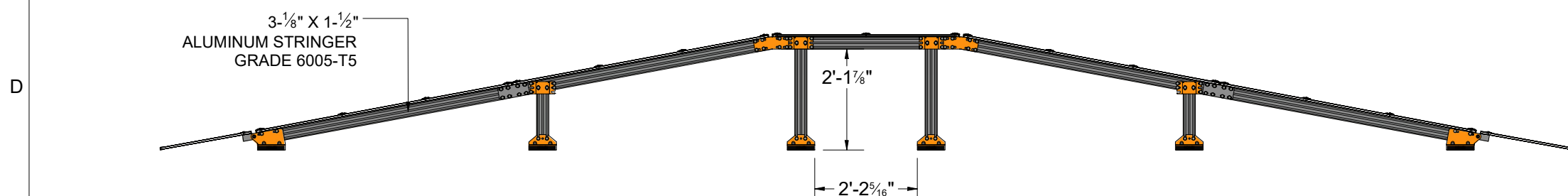
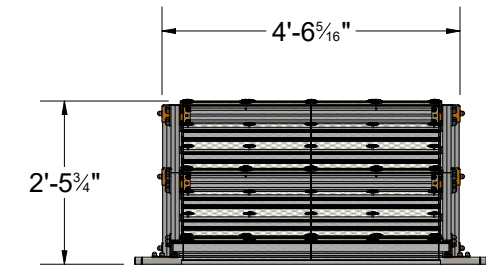


TOP VIEW

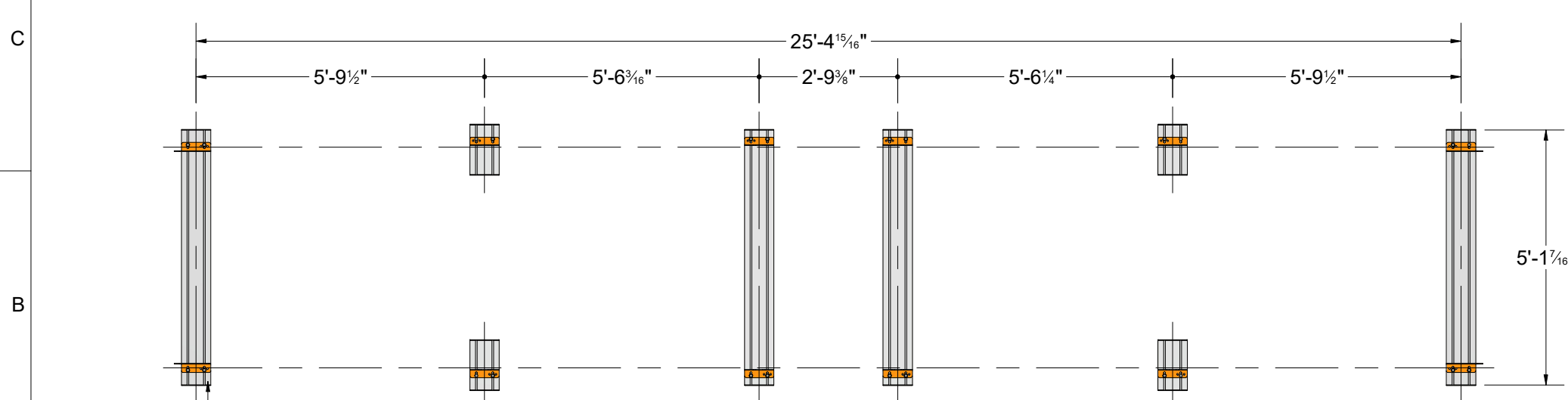
1/2" THK. MESH TO PLATFORM SURFACE (RIBBED FINISH) ALUMINUM 6063-T4



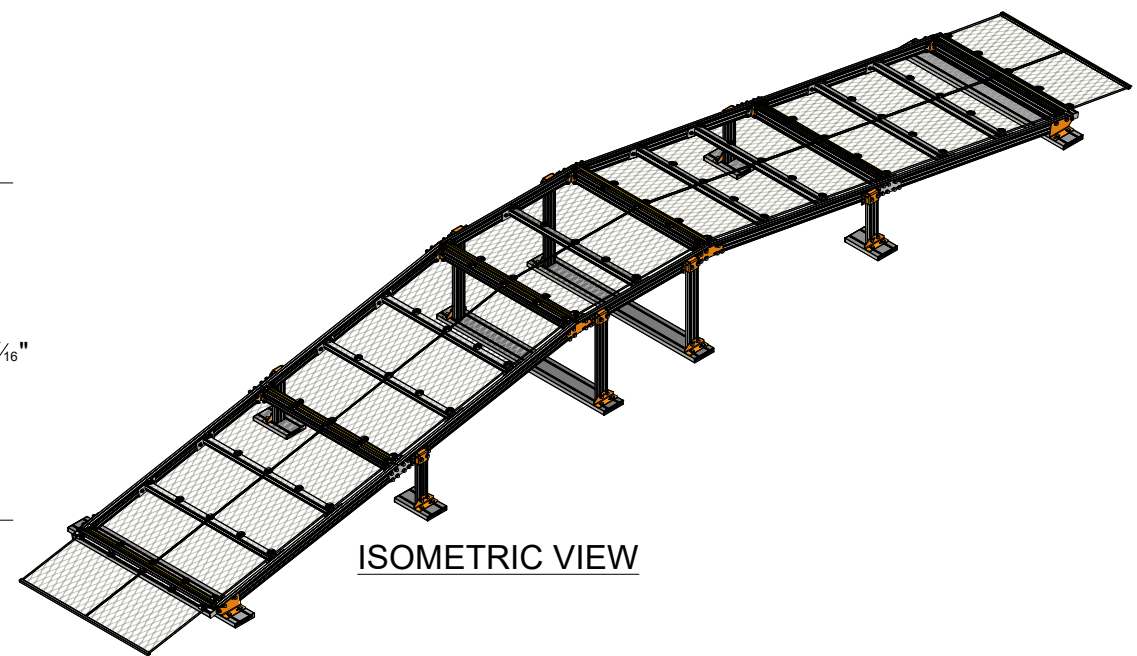
SIDE VIEW



FRONT VIEW



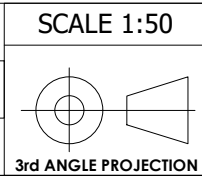
FOOTING LAYOUT



ISOMETRIC VIEW

ALL DIMENSIONS IN FEET AND INCHES

DRN: LFP
 CHK: END
 APP: WJL
 DATE: 06/21/2023



SCALE 1:50
 DIMENSION TOLERANCES UNLESS NOTED OTHERWISE
 X ± 1mm
 X.X ± 0.25mm
 X.XX ± 0.1mm
 ANGLE ± 1°

KATTSAFE™
 A BRAND OF **FIXFASTUSA**
 3921 Perry Blvd.
 Whitestown, IN. 46077
 T +1 888 637 7872
 E sales@fixfastusa.com
 W www.fixfastusa.com

DESCRIPTION		CROSSOVER RAMP	SHT #
MATERIAL	ALUMINUM	FINISH	1/1
DWG No.		PRODUCT CODE	B
		KBR1200.24	REV

1			ISSUED FOR RELEASE
REV	DATE	BY	APP
8			