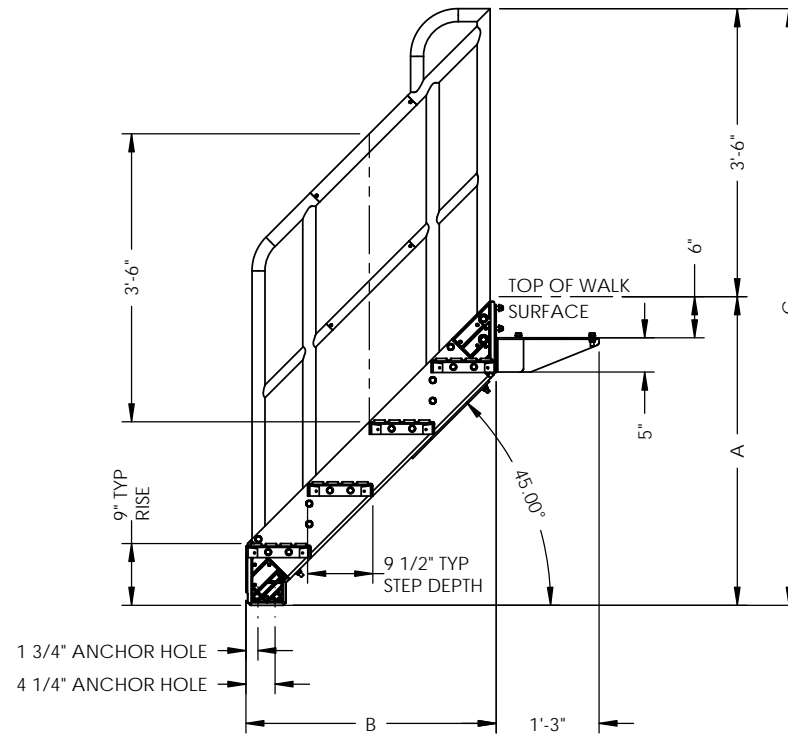
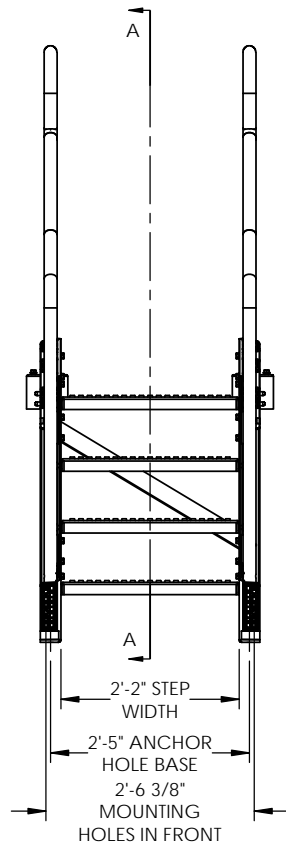


	A	B	C	EST. WEIGHT
1 STEP	18"	9 1/2"	60"	47 lbs.
2 STEP	27"	18 1/2"	69"	64 lbs.
3 STEP	36"	27 1/2"	78"	120 lbs.
4 STEP	45"	36 1/2"	87"	134 lbs.
5 STEP	54"	45 1/2"	96"	152 lbs.
6 STEP	63"	54 1/2"	105"	166 lbs.
7 STEP	72"	63 1/2"	114"	216 lbs.
8 STEP	81"	72 1/2"	123"	230 lbs.
9 STEP	90"	81 1/2"	132"	248 lbs.
10 STEP	99"	90 1/2"	141"	261 lbs.
11 STEP	108"	99 1/2"	150"	275 lbs.



SECTION A-A

