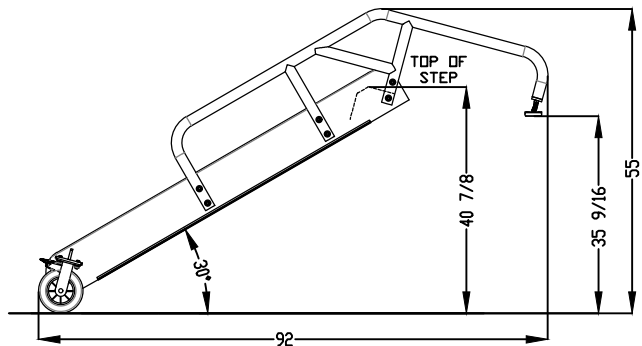
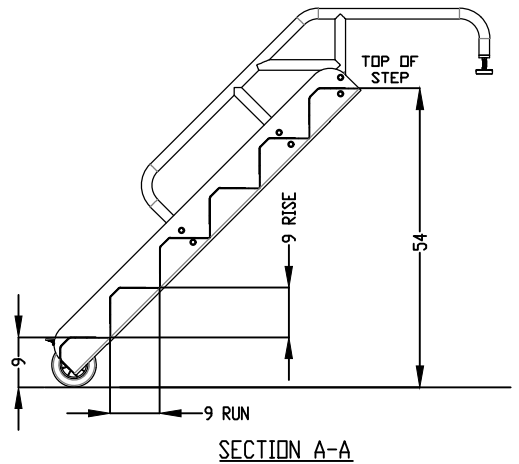
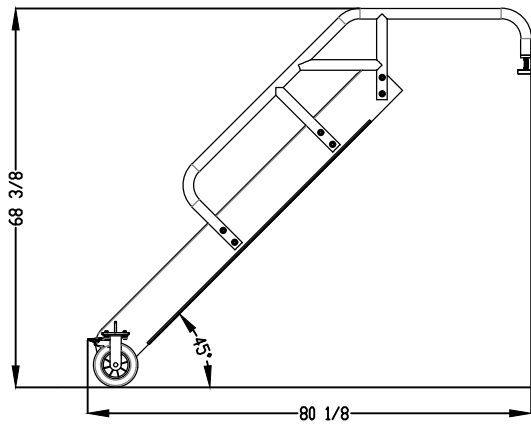
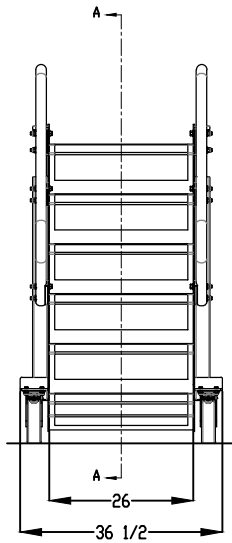




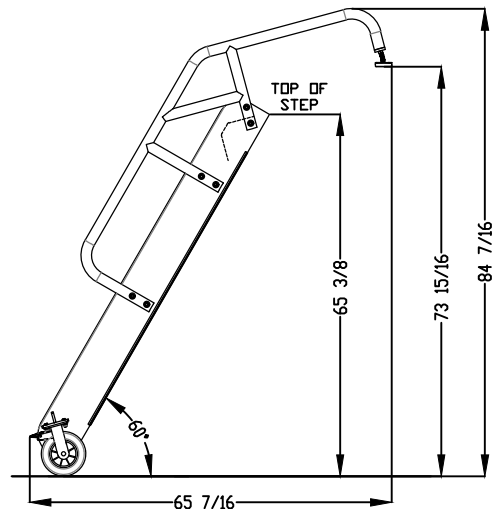
COMBOSTEP SPECIFICATION SHEET

SPECS:

- 1) LOAD CAPACITY = 300LBS
- 2) WEIGHT = 112 LBS
- 3) LIFTING FORCE TO MOVE = 36 LBS
- 4) FRONT BRAKE LOCKING CASTER
- 5) ADJUSTABLE SUPPORT FEET
- 6) SINGLE USER DESIGN
- 7) ALUMINUM CONSTRUCTION
- 8) POWDER COATED SAFETY YELLOW HANDRAILS
- 9) SEE MANUAL FOR ALL OTHER INFORMATION



MINIMUM WORKING RANGE



MAXIMUM WORKING RANGE