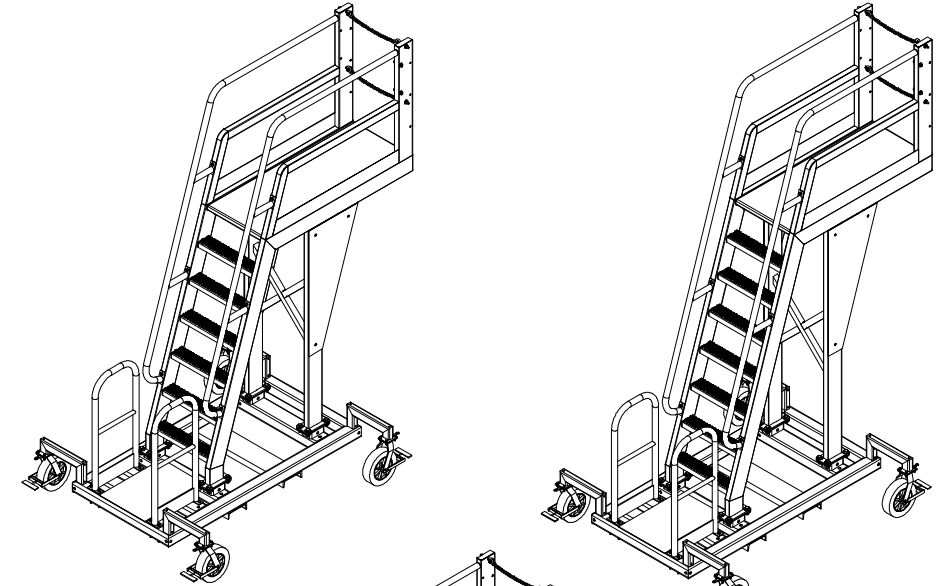
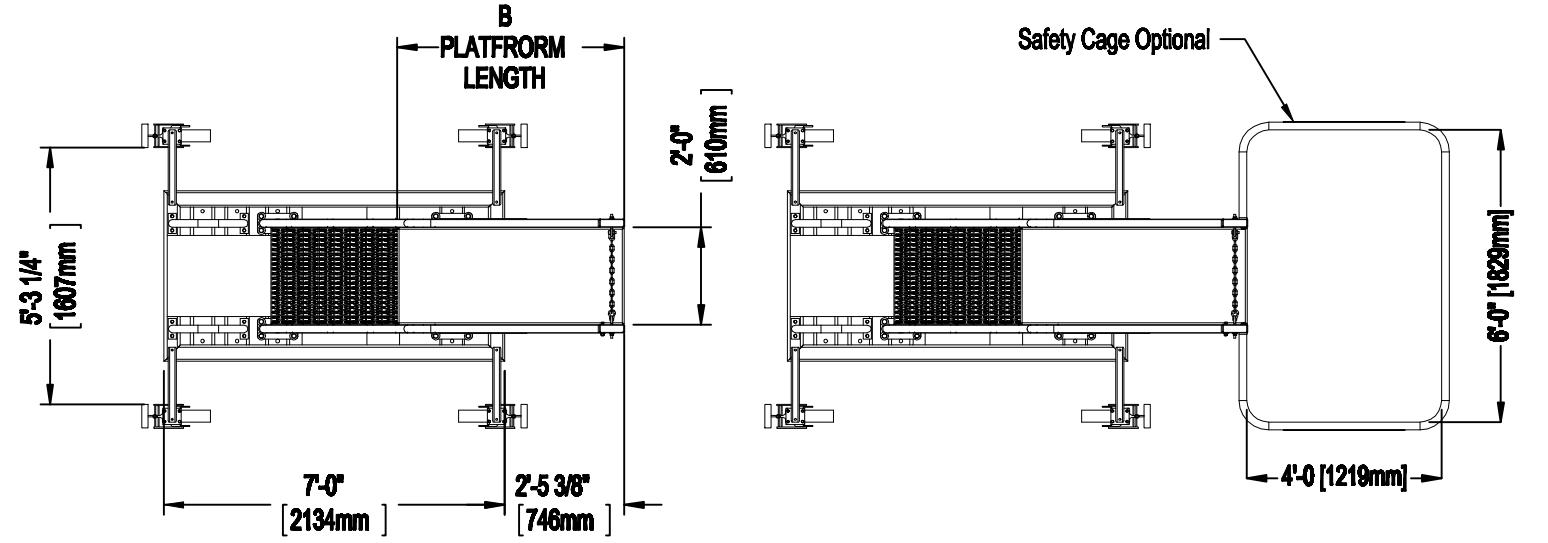
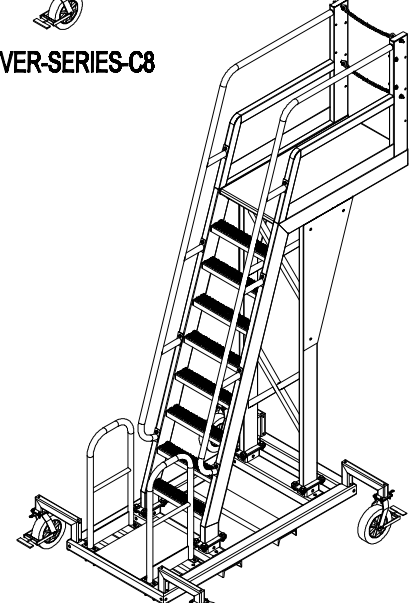


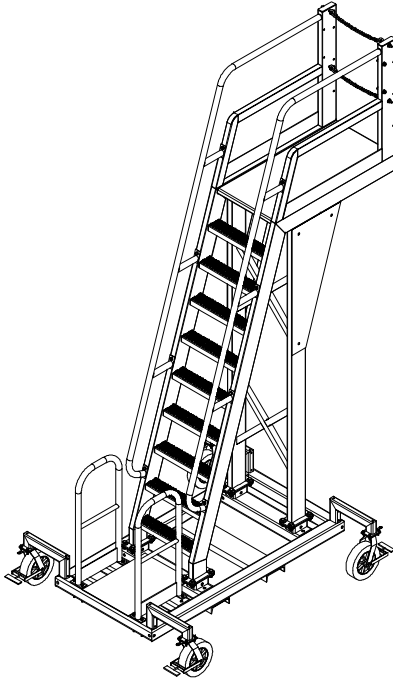
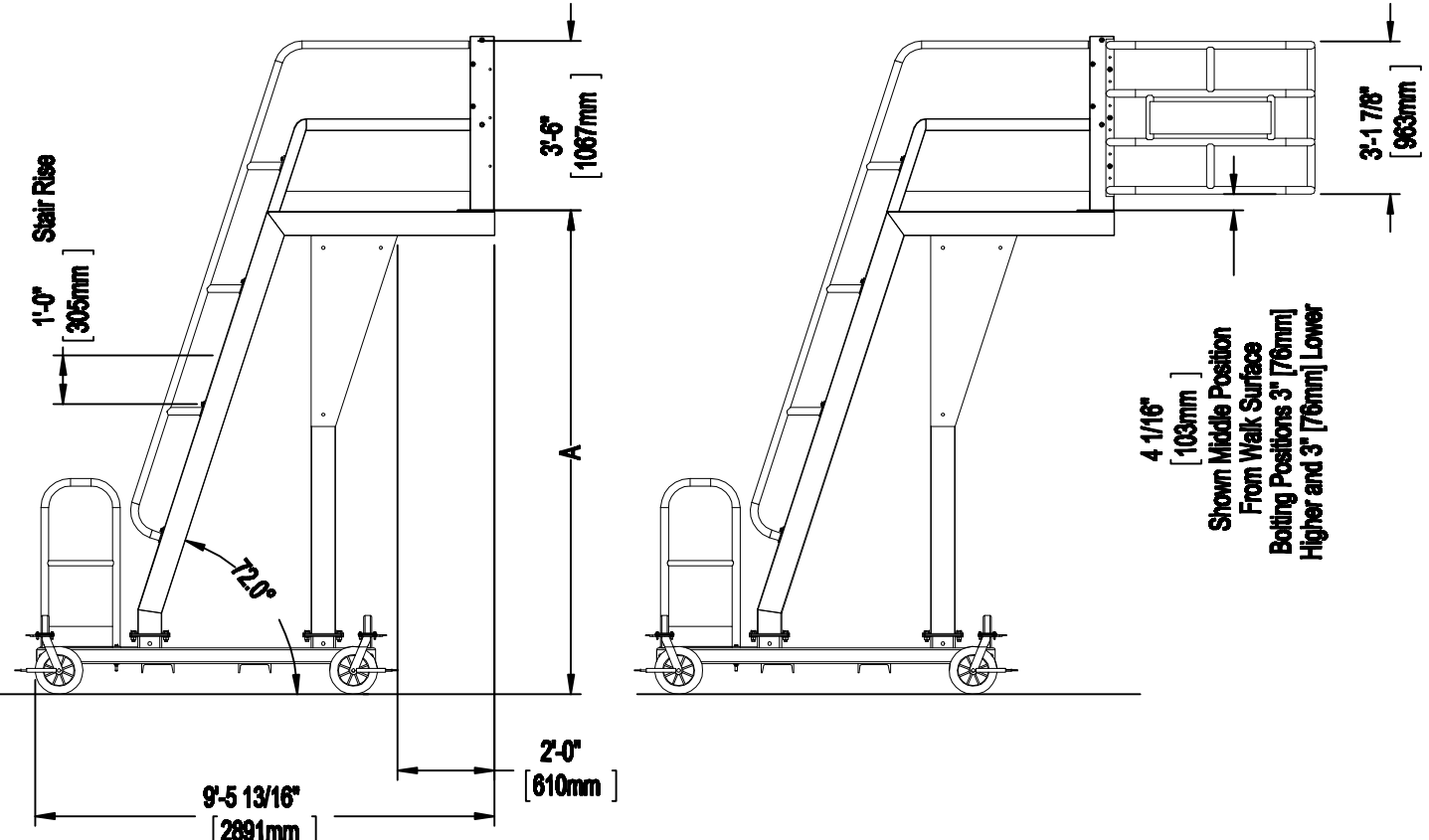
SERIES NAME	A	B
RS-CANTILEVER-SERIES-C8	8 FT (2438 mm)	5'-3 11/16" (1618 mm)
RS-CANTILEVER-SERIES-C9	9 FT (2743 mm)	4'-11 13/16" (1519 mm)
RS-CANTILEVER-SERIES-C10	10 FT (3048 mm)	4'-7 7/8" (1420 mm)
RS-CANTILEVER-SERIES-C11	11 FT (3353 mm)	4'-4" (1321 mm)
RS-CANTILEVER-SERIES-C12	12 FT (3658 mm)	4'-1/8" (1222 mm)



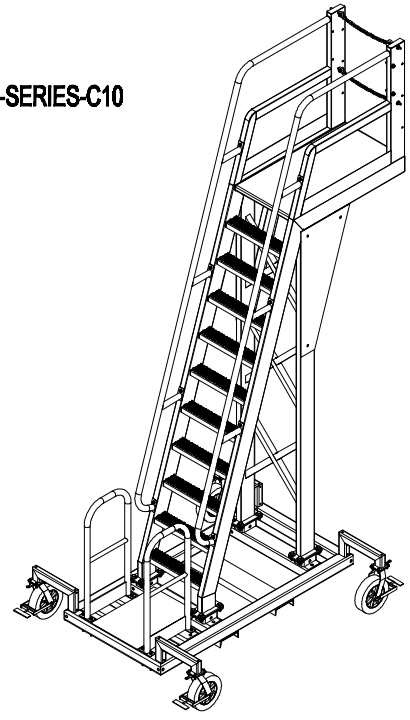
RS-CANTILEVER-SERIES-C8 RS-CANTILEVER-SERIES-C9



RS-CANTILEVER-SERIES-C10



RS-CANTILEVER-SERIES-C11



RS-CANTILEVER-SERIES-C12

ROLLASTEP

ALL INFORMATION CONTAINED HEREIN IS UNCLASSIFIED EXCEPT WHERE SHOWN OTHERWISE AND IS NOT TO BE REPRODUCED OR DISTRIBUTED IN ANY FORM WITHOUT THE WRITTEN CONSENT OF ROLLASTEP

REV	DATE	DESCRIPTION
1	10/12	INITIAL RELEASE
2	10/12	REVISION
3	10/12	REVISION

ROLLASTEP WELDING STANDARDS

SEALED VALVES (PNEUMATIC) USE FILLING LUBRICANT (HYDRAULIC) USE FILLING LUBRICANT (HYDRAULIC)


RS-CANTILEVER-SERIES-C10

WWW.ROLLASTEP.COM 888-878-1839

11783

CUSTOMER: RS-CANTILEVER-SERIES-C10